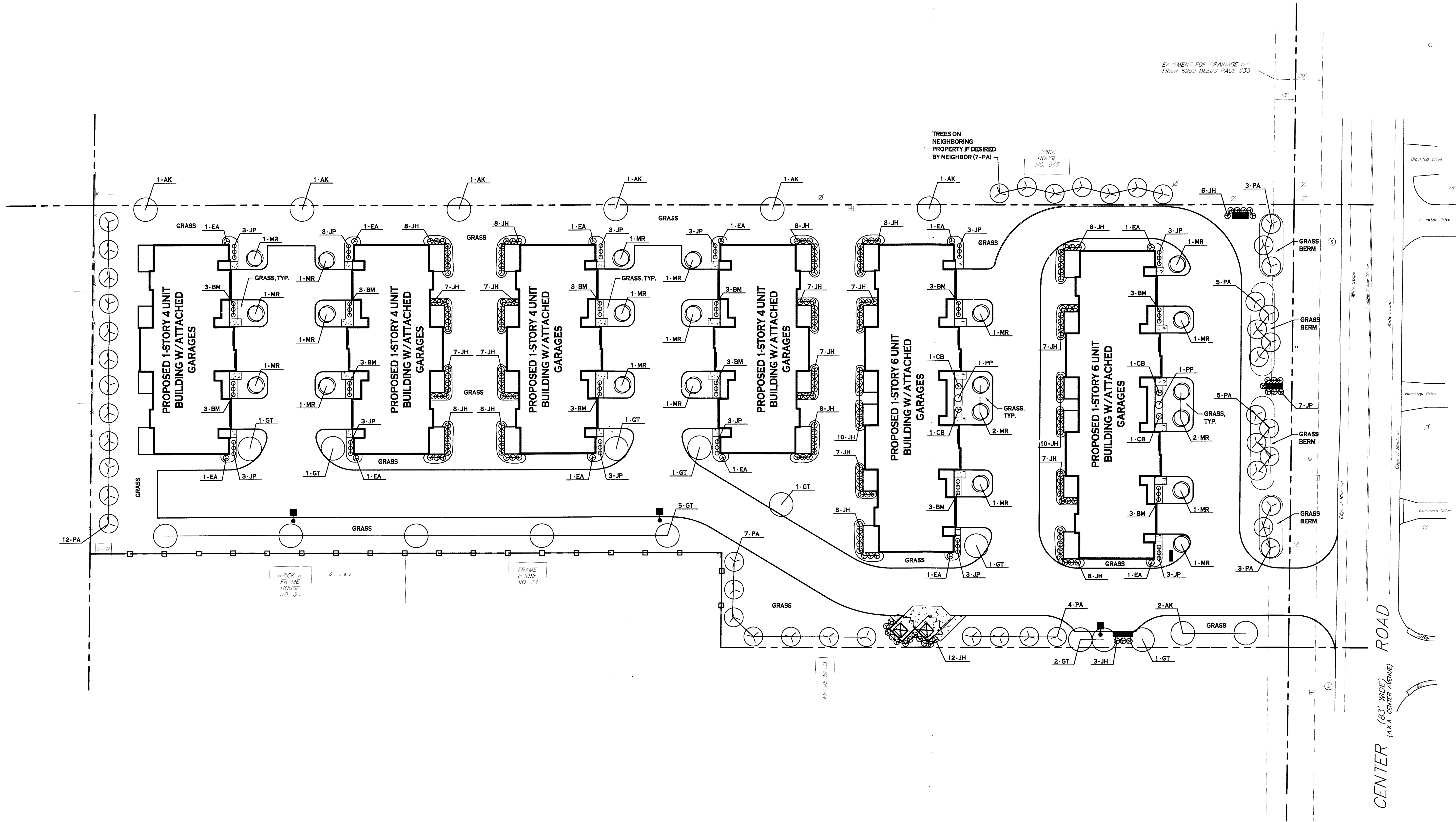


All rights reserved. Reuse of these documents without the expressed written permission of Carmina Wood Morris DPC is prohibited. WARNING: It is violation of article 145 sections 720(9) and 730(1) of the New York State Education Law for any person, unless acting under the direction of a registered architect, licensed engineer or land surveyor to alter this drawing. If altered such P.C., P.E. or L.S. shall affix his or her seal, signature, the date, the notation "altered by" and a specific description of the alteration.

© Carmina Wood Morris DPC

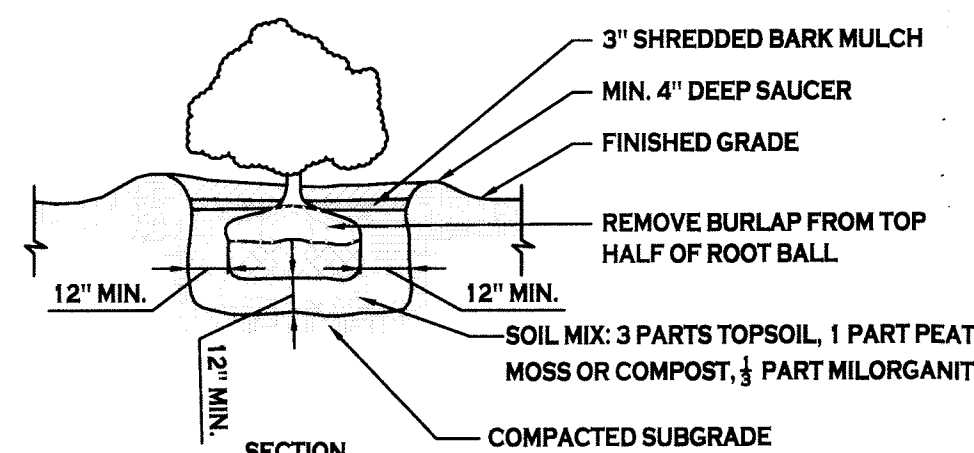


PLANTING SCHEDULE

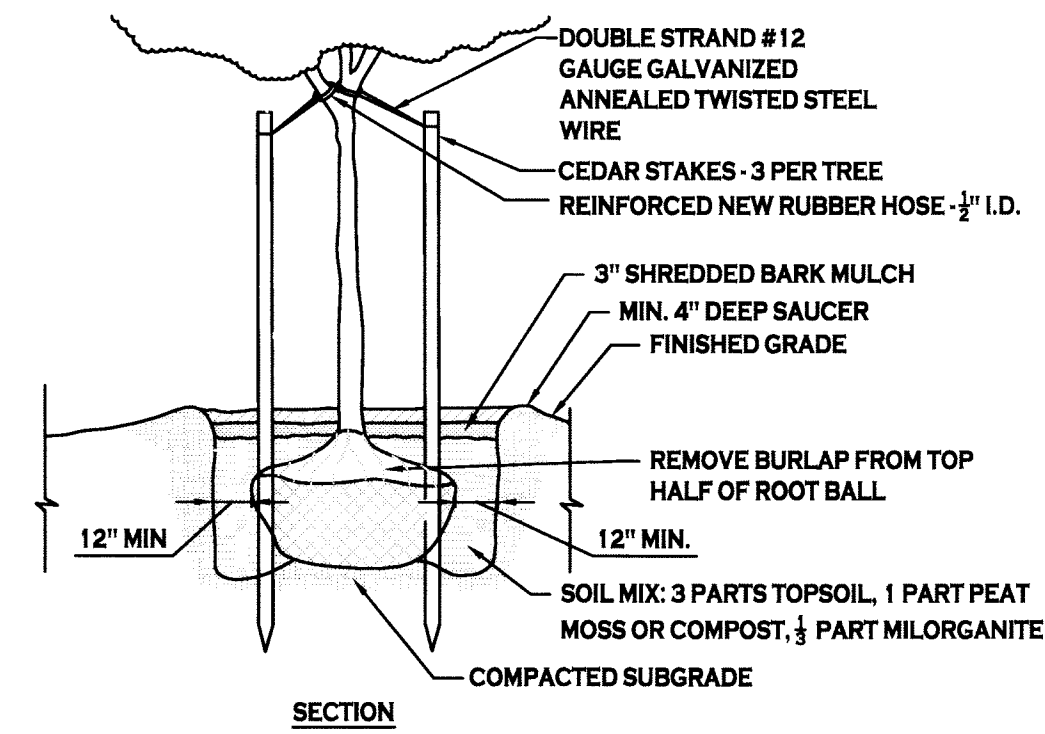
KEY	QTY.	BOTANICAL NAME	COMMON NAME	MIN. SIZE	REMARKS
AK	8	ACER 'KARPICK'	KARPICK RED MAPLE	1 3/4" CAL.	
BM	36	BUXUS MICROPHYLLA 'GOLDEN TRIUMPH'	GOLDEN TRIUMPH BOXWOOD	12" - 15"	
CB	4	CALAMAGROSTIS BRACHYTRICHA	KOREAN FEATHER REED GRASS	24" HT.	
EA	12	EUONYMUS ALATA 'COMPACTA'	DWARF BURNING BUSH	18" - 24"	
GT	14	GLEDITSIA TRIACANTHOS	SHADEMASTER LOCUST	1 3/4" CAL.	
JH	191	JUNIPERUS 'HETZII GLAUCA'	HETZII BLUE JUNIPER	4' HT.	
JP	43	JUNIPERUS PFITZERIANA 'SEA GREEN'	SEA GREEN ROUND JUNIPER	15" - 18"	
MR	22	MALUS 'RED JEWEL'	RED JEWEL CRABAPPLE	1 3/4" CAL.	
PA	39	PICEA ABIES	NORWAY SPRUCE	6' - 7' HT.	
PP	2	PICEA PUNGENS 'GLAUCA GLOBOSA'	GLOBOSA SPRUCE	15" - 18"	

LANDSCAPE PLAN

SCALE: 1"=30'



SHRUB PLANTING DETAIL



TREE PLANTING DETAIL

PLANTING NOTES:

- ALL INTERIOR LANDSCAPED AREAS SHALL HAVE A MINIMUM PLANTING SOIL DEPTH OF THREE (3) FEET AND BE FREE FROM ALL FORMS OF CONSTRUCTION DEBRIS AND FOREIGN MATERIAL.
- ALL TREE PIT SAUCERS, SHRUB BEDS, ORNAMENTAL GRASS BEDS, AND PERENNIAL FLOWER BEDS SHALL RECEIVE "PREEN" HERBICIDE AND THREE (3) INCHES DEPTH OF DARK SHREDDED HARDWOOD BARK MULCH.
- ALL SEASONAL FLOWER BEDS SHALL BE A MINIMUM OF TWELVE (12) INCHES DEEP WITH A WELL-BLENDED MIXTURE OF 50% PEAT MOSS. SEASONAL FLOWER BEDS SHALL RECEIVE "PREEN" HERBICIDE. NO MULCH SHALL BE INSTALLED IN THE SEASONAL FLOWER BEDS.
- ALL DECIDUOUS AND EVERGREEN TREES SHALL BE STAKED WITH THREE (3) TREE STAKES AS PER TREE PLANTING DETAIL.

NOTE: BOUNDARY AND TOPOGRAPHIC INFORMATION PROVIDED BY OTHERS. CARMINA WOOD MORRIS, D.P.C. ASSUMES NO RESPONSIBILITY FOR ITS ACCURACY.



[Handwritten signature]

REVISIONS:
 No. Description
 Date

PROJECT NAME:
 New Construction
Park Lane Villas North
 965 Center Road
 West Seneca, New York

Date: 3/27/18
 Drawn by: P. Sheedy
 Scale: As Noted

DRAWING NAME:
 Landscape Plan

DRAWING NO.
L-100

Project no.: 17.131