

**NOTICE**  
 This document, the property of, prepared and issued by the architect, is submitted for the specific project named herein. The recipient by accepting this document assumes custody and agrees that this document will not be copied or reproduced in part or in whole, and any special features peculiar to this design shall not be incorporated in any other project, unless prior agreement has been obtained in writing. These documents will be returned immediately upon completion of the project or upon the request of the architect, no rights to ownership are transferable, or shall be lost by the filing of this document with any and all public authorities for the purpose of compliance with Codes and or Ordinances, i.e. Building Permits, etc.

**Buffalo Truck Center**

North America Drive,  
 West Seneca, NY

ISSUE:

**EnSol, Inc.**  
 Environmental Solutions

661 MAIN STREET  
 NIAGARA FALLS, NY 14301  
 PHONE (716) 285-3920  
 FAX (716) 285-3928



BRIAN D. SHIAN, P.E.  
 NYSPE LICENSE NO. 079072

TITLE:

**LIGHTING PLAN**

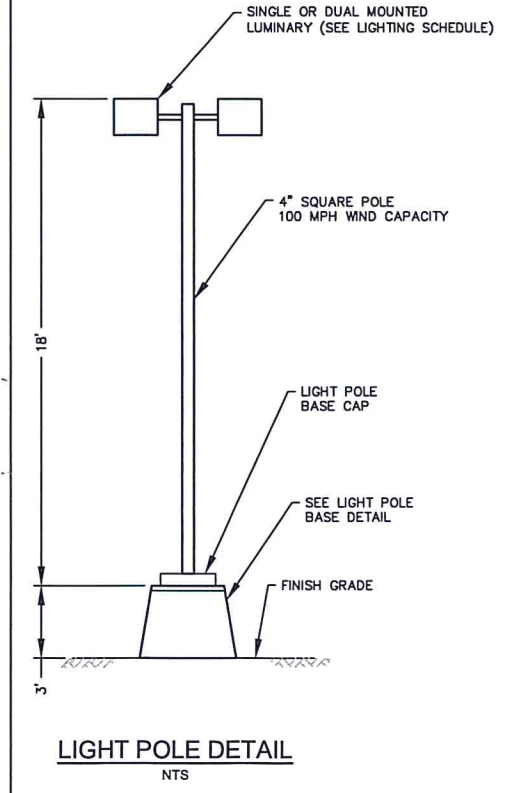
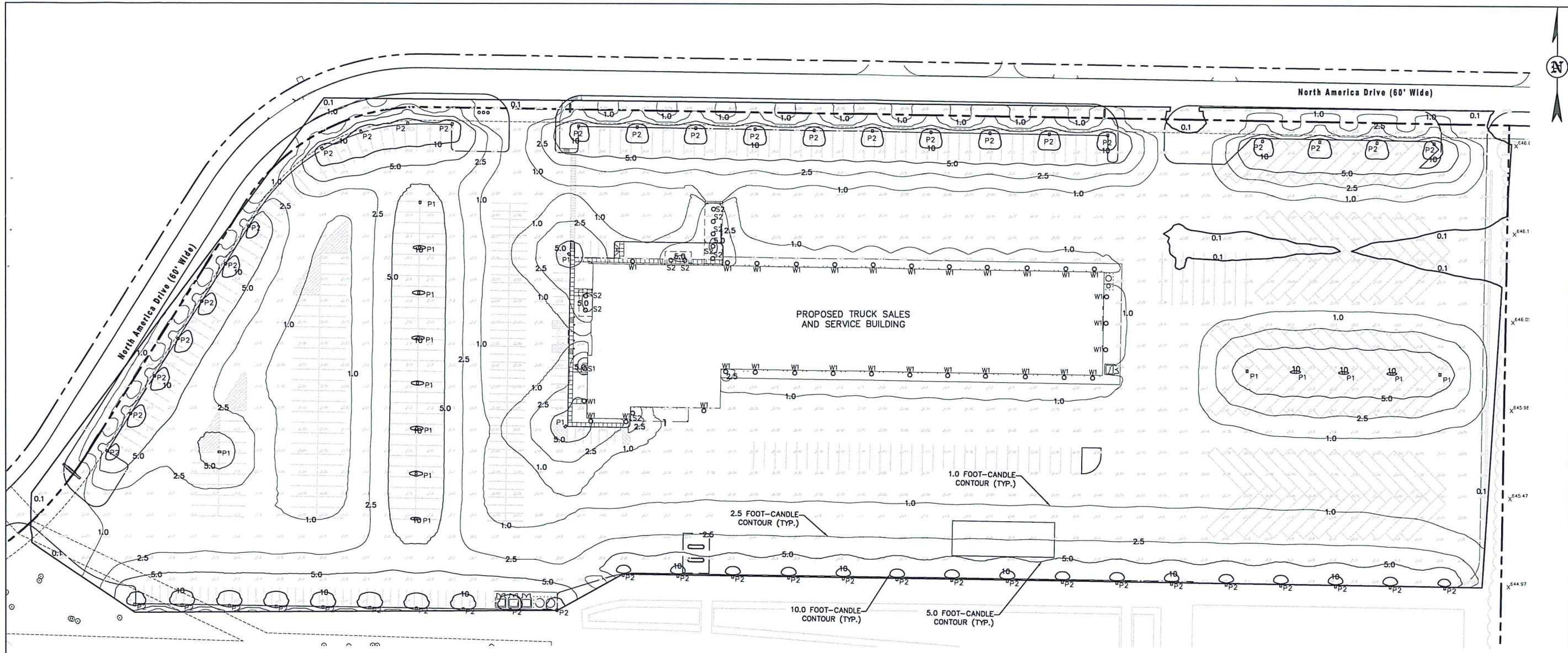
DES: CAC    DRN: CAC    CHK: BDS



**SILVESTRI ARCHITECTS-PC**  
 1321 MILLERSPORT HWY    PH: 716.651.0500  
 AMHERST, NY 14221    FAX: 716.651.4773

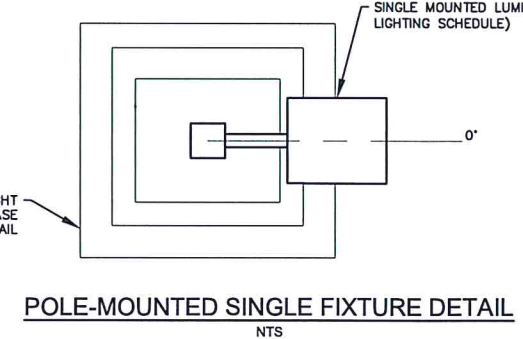
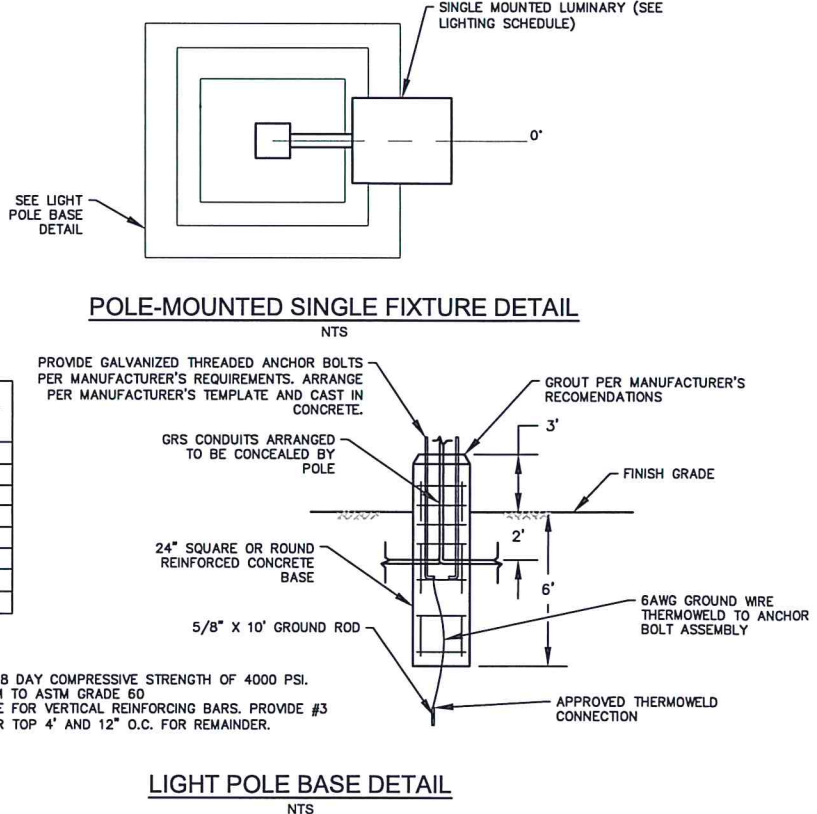
SA JOB #: 15070.02    DATE: JULY 2018

DRAWING #: C-07



POLE HEIGHT +3 AFG (FT)	BURIAL DEPTH (FT)	VERTICAL REINF.
14	5	4-#5
20	6	4-#5
24	7	4-#5
28	8	4-#5
34	9	4-#6
40	10	4-#6
46	11	4-#6
50	12	4-#6

- NOTES:**
1. PROVIDE CONCRETE WITH MIN. 28 DAY COMPRESSIVE STRENGTH OF 4000 PSI.
  2. REINFORCING BARS TO CONFORM TO ASTM GRADE 60
  3. REFER TO POLE BASE SCHEDULE FOR VERTICAL REINFORCING BARS. PROVIDE #3 HORIZONTAL TIES @ 6" O.C. FOR TOP 4' AND 12" O.C. FOR REMAINDER.



Luminaire parts list

Index	Manufacturer	Luminaire type	Item number	Fitting	Luminous flux	Light loss factor	Connected load	Quantity
P1	Lithonia Lighting	DSX2 LED P6 40K T5W MVOLT	DSX2 LED P6 40K T5W MVOLT	1xLED	42059 lm	0.80	343 W	16
P2	Lithonia Lighting	DSX2 LED P6 40K T4M MVOLT	DSX2 LED P6 40K T4M MVOLT	1xLED	39925 lm	0.80	343 W	51
S1	Lithonia Lighting	VCPG LED WITH P1 - PERFORMANCE PACKAGE, 4000K, T5E OPTIC TYPE	VCPG LED P1 40K T5E MVOLT	1xLED	3815 lm	0.80	26.6 W	1
W1	Lithonia Lighting	DSXW1 LED WITH (1) TO LED LIGHT ENGINES, TYPE 12M OPTIC, 4000K, @ 700mA.	DSXW1 LED 10C 700 40K T2M MVOLT	1xLED	2883 lm	0.80	26.2 W	30
S2	Lithonia Lighting	VCPG LED WITH P3 - PERFORMANCE PACKAGE, 4000K, T5E OPTIC TYPE	VCPG LED P3 40K T5E MVOLT	1xLED	6187 lm	0.80	43.4 W	10

REFER TO ARCHITECTURAL DRAWINGS FOR EXACT LOCATION OF EXTERIOR BUILDING LIGHTING FIXTURES.

Name	Parameter	Min	Max	Average	Min/average	Min/max
BUFFALO TRUCK CENTER	Perpendicular Illuminance (Adaptive)	0.049 fc	17.6 fc	2.60 fc	0.019	0.003