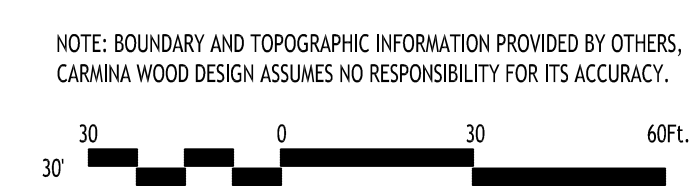


Grading Plan
SCALE: 1"=30'

PROPOSED GRADING LEGEND

PROPOSED CONTOUR	— 101 —
PROPOSED SPOT ELEVATION	668.00
PROPOSED CATCH BASIN	■ CB
PAVEMENT/GROUND SLOPE	—
PROPOSED SWALE	- - - -



CARMINA WOOD DESIGN
111 Bain Street, Suite 332
Seneca, NY 13290
Phone: (315) 937-9089

Proposed Warehouse
4560 Clinton Street
West Seneca, New York

REVISIONS:

No.	Description	Date
1	Rev. per Town comments	4/28/23



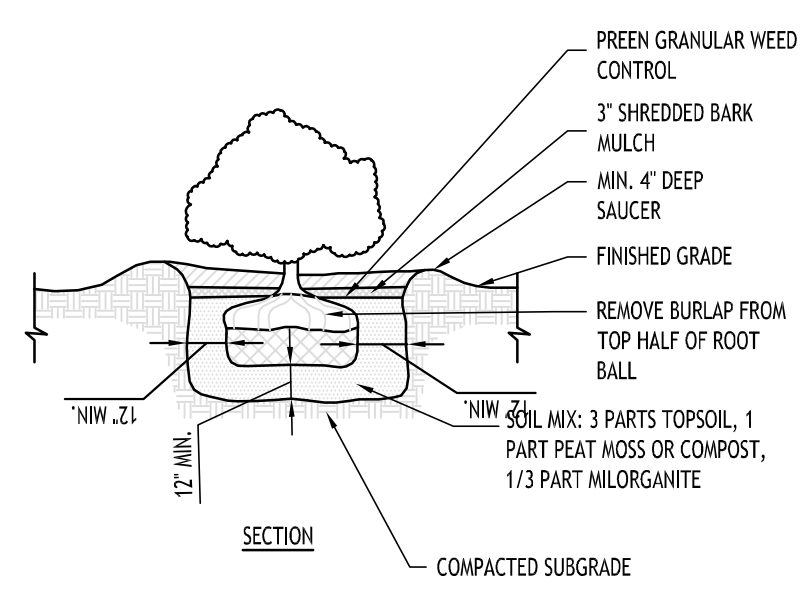
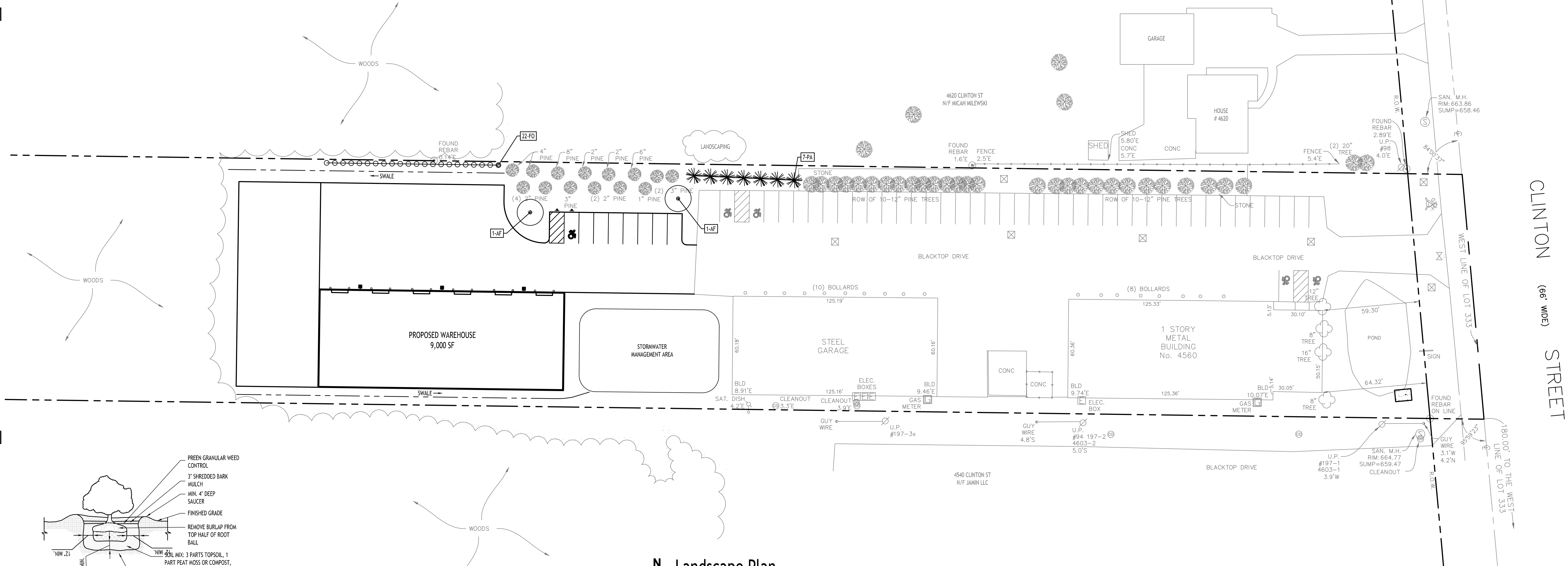
DRAWING NAME:
Grading Plan

Date: 3/22/23
Drawn By: P. Sheedy
Scale: As Noted

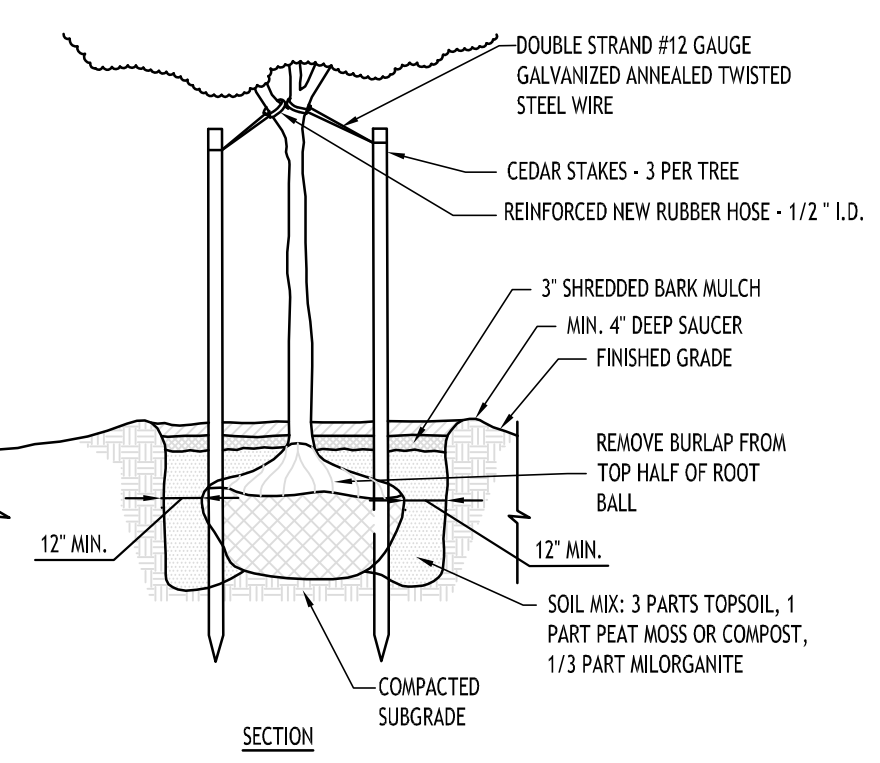
DRAWING NO.:
C-200
Project No: 22.346

All Rights Reserved. Reuse of these documents without the expressed written permission of CARMINA WOOD DESIGN is prohibited. Warning: It is a violation of article 145 of the New York State Education Law and article 1707 of the Real Property Law to alter this drawing. If altered such R.A., P.E. or L.L.S. shall affix his or her seal, signature, the date, the notation "Altered By," and a specific description of the alteration.

© CARMINA WOOD DESIGN



SHRUB PLANTING DETAIL
NOT TO SCALE



TREE PLANTING DETAIL
NOT TO SCALE

Landscape Plan
SCALE: 1"=30'

PLANTING SCHEDULE - 4560 CLINTON STREET, WEST SENECA, NEW YORK

KEY	QTY.	BOTANICAL NAME	COMMON NAME	MIN. SIZE	REMARKS
		DECIDUOUS TREES			
AF	2	ACER x FREEMANII 'JEFFERSRED'	AUTUMN BLAZE MAPLE	2-1/2" CAL. MIN.	B&B
		EVERGREEN TREES			
PA	7	PICEA ABIES	NORWAY SPRUCE	5'-0" HT. MIN.	B&B; FULL TO GROUND
		SHRUBS			
FO	22	FORSYTHIA 'GOLDEN BELLS'	GOLDEN BELLS	2'-6" HT. MIN.	

- PLANTING NOTES:**
- ALL TREE PIT SAUCERS, SHRUB BEDS, ORNAMENTAL GRASS BEDS, AND PERENNIAL FLOWER BEDS SHALL RECEIVE THREE (3) INCHES DEPTH OF DARK SHREDDED HARDWOOD BARK MULCH.
 - ALL DECIDUOUS AND EVERGREEN TREES SHALL BE STAKED WITH THREE (3) TREE STAKES AS PER TREE PLANTING DETAIL.
 - EXISTING TREE LOCATIONS ARE APPROXIMATE, CONTRACTOR TO LOCATE ALL TREES WITHIN THE PROJECT LIMITS PRIOR TO CONSTRUCTION AND TAKE RESPONSIBLE MEASURES TO PROTECT EXISTING TREES TO REMAIN FROM ANY POSSIBLE ROOT OR LIMB DAMAGE.

NOTE: BOUNDARY AND TOPOGRAPHIC INFORMATION PROVIDED BY OTHERS, CARMINA WOOD DESIGN ASSUMES NO RESPONSIBILITY FOR ITS ACCURACY.



CARMINA WOOD DESIGN
111 Bain Street, Suite 332
Seneca, NY 13290
Phone: (315) 937-9099

Proposed Warehouse
4560 Clinton Street
West Seneca, New York

REVISIONS:

No.	Description	Date
1	Rev. per Town comments	4/28/23



DRAWING NAME:
Landscape Plan

Date: 3/22/23
Drawn By: P. Sheedy
Scale: As Noted

DRAWING NO.
L-100
Project No: 22.346