



TOWN OF WEST SENECA

BRIAN J. ADAMS
SUPERINTENDENT OF
HIGHWAY DEPARTMENT

TO: The Honorable Town Board
FROM: Brian Adams
DATE: April 20, 2022
RE: **Outdoor Fitness Pad-Bid Approval**

Dear Honorable Town Board Members:

Please authorize the Highway Superintendent to accept a bid from Broad Spectrum Concrete in the amount of \$15,125.00 for the completion of a concrete pad for an outdoor fitness court at the West Seneca Soccer Complex. A request for this work was sent to five local companies, we received quotes back from three contractors. After reviewing their quotes and work references, I would recommend accepting the low bid from Broad Spectrum Concrete.

Sincerely,

Brian Adams

Superintendent of Highways



39 SOUTH AVENUE • WEST SENECA, NEW YORK 14224 • (716) 674-4850

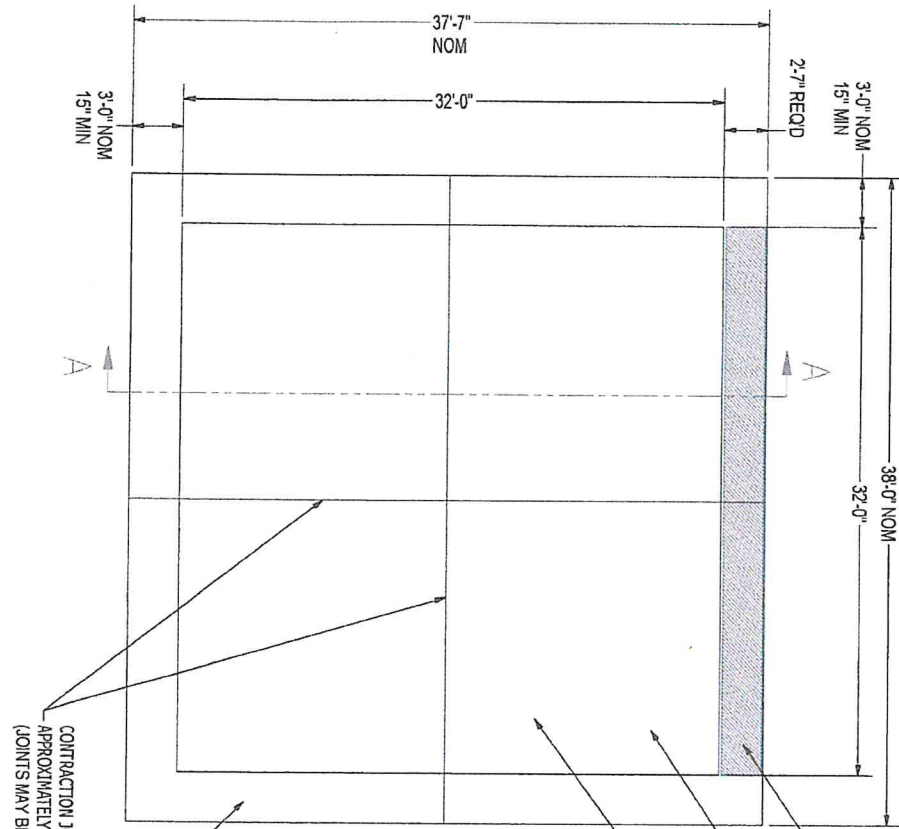
www.westseneca.net

badams@twsny.org

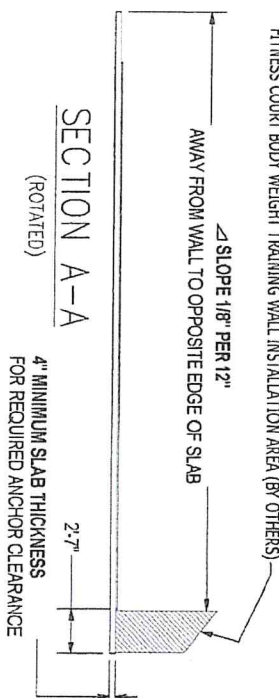


CONCRETE SLAB PLAN & CROSS-SECTION

(FOR FLAT TOP SLAB / TILE FLOOR INSTALLATION)



FITNESS COURT BODY WEIGHT TRAINING WALL INSTALLATION AREA (BY OTHERS).
 FITNESS COURT TILED EXERCISE FLOOR AREA (BY OTHERS).
 THE FINISHED CONCRETE SURFACE SHOULD BE SMOOTH TO PREVENT IRREGULARITIES, ROUGHNESS, OR OTHER DEFECTS THAT WOULD AFFECT THE FINISHED FLOOR SURFACE. THE SURFACE SHOULD BE FLAT TO THE EQUIVALENT OF 3/16" OVER 10'. THE FINISHED CONCRETE SURFACE SHOULD HAVE A LIGHT BROOM FINISH TO PROVIDE THE BEST SURFACE FOR COURT SURFACE ADHESION.

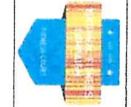


FITNESS COURT BODY WEIGHT TRAINING WALL INSTALLATION AREA (BY OTHERS)
 AWAY FROM WALL TO OPPOSITE EDGE OF SLAB
 ∇ SLOPE 1/8" PER 12"
 SECTION A-A (ROTATED)
 4" MINIMUM SLAB THICKNESS FOR REQUIRED ANCHOR CLEARANCE
 2'-7"
 SLAB SIZE MAY BE ADJUSTED TO PROVIDE THE BAND WIDTH SHOWN AROUND THE PERIMETER OF THE TILED COURT SURFACE. A NARROW 15" BAND MAY BE UTILIZED WITH A SHADE STRUCTURE. ANY SHADE STRUCTURE (BY OTHERS) SHALL HAVE ITS OWN INDEPENDENT FOUNDATIONS.

CONTRACTION JOINTS APPROXIMATELY CENTERED (JOINTS MAY BE CUT OR SCORED)

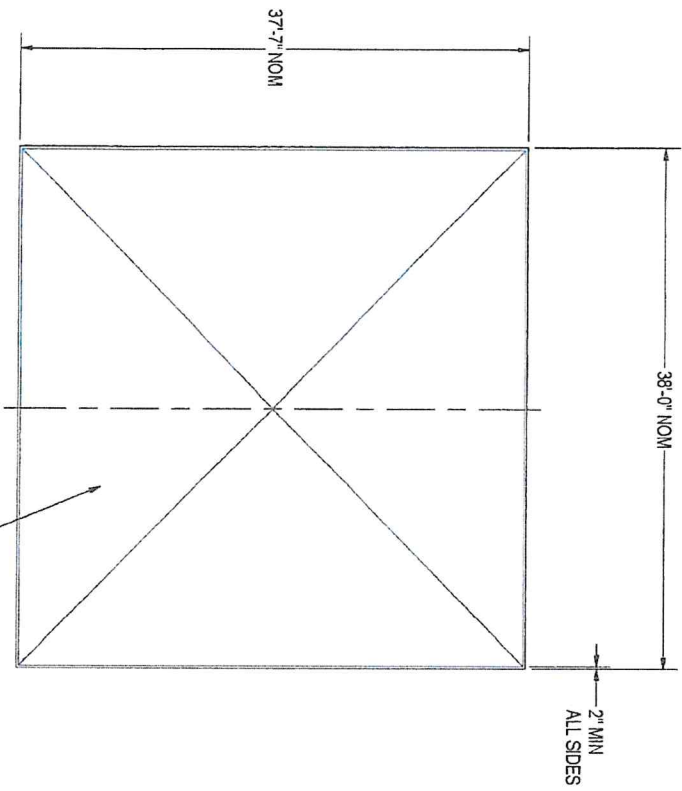
THIS DOCUMENT IS PROPERTY OF NFC THE NATIONAL FITNESS CAMPAIGN. THIS DOCUMENT CONTAINS CONFIDENTIAL AND PROPRIETARY INFORMATION AND MAY ONLY BE USED BY PERMISSION FROM NFC AND FOR THE PURPOSES AUTHORIZED BY NFC. DISCLOSE, DUPLICATION, MODIFICATION, OR OTHER USE OF THIS DOCUMENT IS NOT PERMITTED WITHOUT THE PRIOR WRITTEN PERMISSION OF NFC.

DATE: 3/9/2022
 BY: MAXIMUS INNOVATIONS
 NAME: TILE SLAB
 REV: 7.2 PAGE 24

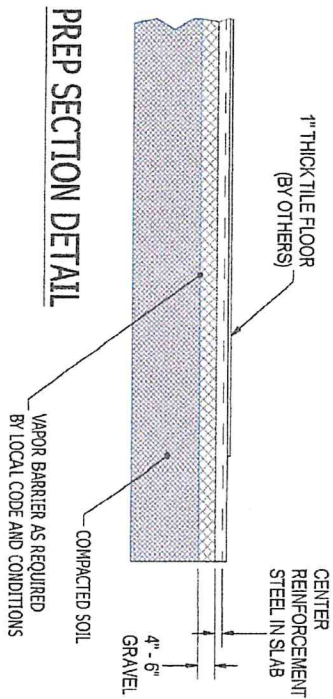


REINFORCEMENT / PREP DETAIL

(FOR FLAT TOP SLAB / TILE FLOOR INSTALLATION)



REINFORCING TO BE 6 X 6 X 6/6 WELDED WIRE MESH (WWM) PLACED IN THE CENTER OF THE SLAB TO EXTEND THROUGH ENTIRE SLAB. UTILIZE SUFFICIENT NUMBER OF CHAIRS TO MAINTAIN WWM POSITION. INSTALL ADDITIONAL REINFORCEMENT AS REQUIRED BY LOCAL CODE.



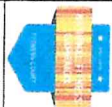
PREP SECTION DETAIL

THIS DOCUMENT IS PROPERTY OF NFC (THE NATIONAL FITNESS CAMPAIGN). THIS DOCUMENT CONTAINS CONFIDENTIAL AND PROPRIETARY INFORMATION AND MAY ONLY BE USED BY PERMISSOR FROM NFC AND FOR THE PURPOSES AUTHORIZED BY NFC. DISCLOSURE, REPRODUCTION, MODIFICATION, OR OTHER USE OF THIS DOCUMENT IS NOT PERMITTED WITHOUT THE PRIOR WRITTEN PERMISSION OF NFC.

DATE: 3/9/2022
 BY: JANKINS
 MODIFICATIONS
 NAME: TILE SLAB
 REV: 72 PAGE 34

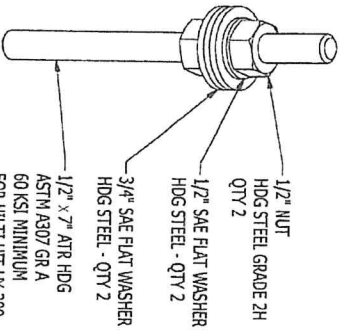
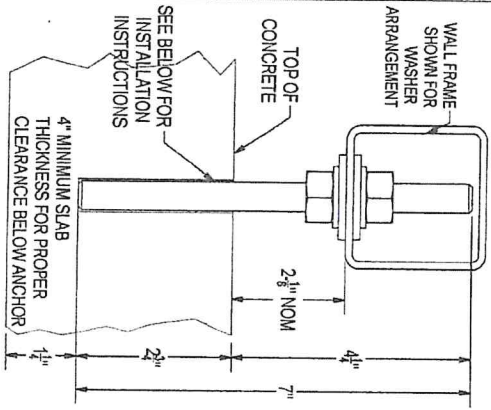
NATIONAL FITNESS CAMPAIGN

SAN FRANCISCO, CA



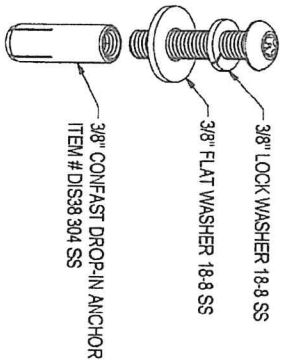
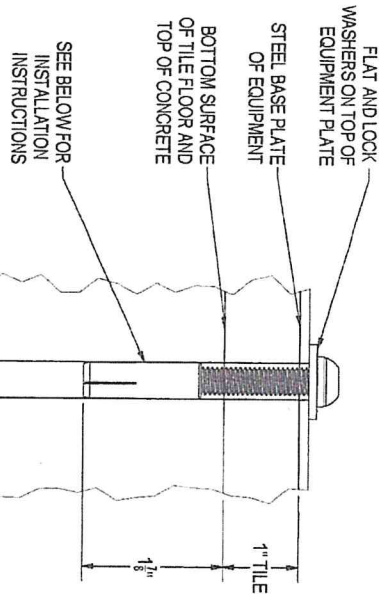
ANCHOR DETAILS FOR TILE

APPLIES TO TILE INSTALLATION ONLY.
REQUEST ALTERNATE DRAWING FOR FOUR-IN-PLACE.
(ALSO SEE ANCHOR NOTES ON SLAB NOTES DRAWING)



ANCHOR A
WALL ANCHOR
DRILL 9/16" HOLE IN CONCRETE FOR 2-3/4" EMBEDMENT

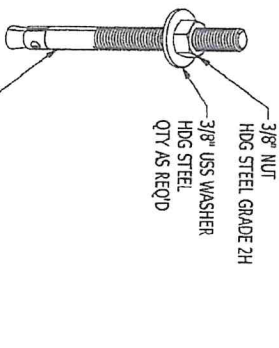
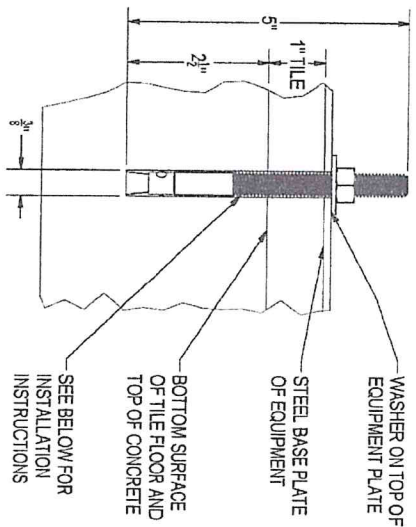
THIS DOCUMENT IS PROPERTY OF NFC THE NATIONAL FITNESS CAMPAIGN. THIS DOCUMENT CONTAINS CONFIDENTIAL AND PROPRIETARY INFORMATION AND MAY ONLY BE USED BY PERMITTEE OR PROHIBITED FOR THE PURPOSES AUTHORIZED BY NFC. DISCLOSE, REPRODUCTION, MODIFICATION, OR OTHER USE OF THIS DOCUMENT IS NOT PERMITTED WITHOUT THE PRIOR WRITTEN PERMISSION OF NFC.



DRILL 1/2" HOLE IN CONCRETE FOR 1 - 9/16" EMBEDMENT

ANCHOR B
DROP-IN ANCHOR

- ANCHOR HOLE INSTRUCTIONS**
1. DRILL HOLES FOR ANCHORS TO SPECIFIED DIAMETER AND DEPTH
 2. USE COMPRESSED AIR TO REMOVE CONCRETE DUST AND DEBRIS FROM HOLES PRIOR TO ANCHOR INSTALLATION
 3. REFER TO FITNESS COURT INSTALLATION INSTRUCTIONS FOR ADDITIONAL ANCHOR INSTALLATION STEPS



ANCHOR C
MECHANICAL ANCHOR
DRILL 3/8" HOLE IN CONCRETE FOR 2-1/2" EMBEDMENT

ANCHOR A EPOXY NOTE:
ANCHOR A MUST BE INSTALLED WITH THE ANCHOR EPOXY SPECIFIED OR ACCEPTABLE ALTERNATIVE. HILTI HY-200 IS RECOMMENDED. ALTERNATE EPOXY SIMPSON SET-XP IS ACCEPTABLE FOR NEW UNCRACKED CONCRETE ONLY. ALTERNATE EPOXY SIKA ANCHORFIX-2 IS ACCEPTABLE FOR NEW, UNCRACKED CONCRETE ONLY. FOLLOW EPOXY MANUFACTURERS INSTALLATION PROCEDURES.



Brian J Adams

out door
Fitness Pad
At WS Soccer Comp



b.adams@
TWSNY.org

TAX Free Job
Prevaling Rate
work.

From the Desk Of Patrick Broad:

New PAD

Fax # 716-675-5865

37'7" x 38' Pad	1428 ^{sq}	(4" Pitch)
1) LAYOUT New Pad (Located by B. Adams)		
2) Excavate down to - 10" From		
(27 yds)	Finish grade (4" stone & 6" concrete)	
3) Tractor Stone Base 4" H1 course - Run		
• compact thoroughly		
4) 6x6x 6/6 Heavy duty mesh (35 sheets)		
5) 3" CHAIRS (5' Long) to support mesh		
(137 chairs Required)		
6) Pour new concrete 26.5 yds 6"		
• 4500 PSI mix		
• SAW cut JOINTS		
• WATER BASED CURE		
• USE CONVEYOR TO PLACE CONCRETE		
Total Price to complete		
all work specified @		
15/25 ^{hr}		

Hand OFF
site

option
4" pad
1.8 yds

delete
3600^{or}

Pat Broad 4/14/22

PROPOSAL



P.O. Box 410 • 435 Meyer Road • West Seneca, NY 14224

Telephone: (716) 822-5755 • Fax: (716) 822-8429

PROPOSAL SUBMITTED TO: Town of West Seneca		716-674-4850	DATE: 4/12/2022
STREET 39 South Ave		JOB NAME: Fitness Court	
CITY, STATE AND ZIP CODE West Seneca, New York		JOB LOCATION: Soccer Complex	
CONTACT: badams@TWSNY.org Brian Adams	DATE OF BID: 4/12/2022	JOB PHONE:	

We hereby submit an estimate for:
**Building a Fitness Court at the
 West Seneca Soccer complex**

Proposal Includes: Excavation, 6" of Subbase, 6x6x6/6 mesh, 4000 PSI Exterior Mix Concrete in place with joints sawcut	<i>Lump Sum of</i> \$ 18,995.00
 Proposal does not include:	
1) Curb wall shown on page 2 of drawings	\$ - \$ -
2) Any Anchors or Bolts	
3) Winter Time Conditions	
4) Tax	
5) Sealing contraction joints	
6) Any backfill of the slab or restoration/seeding of the area	
Subtotal	\$ 18,995.00
Sales tax	
Total	\$ 18,995.00

Notes:
 Deduct \$950.00 if the subbase is provided and hauled to the site by the town. (Assume 65 Ton)
 Deduct \$1,300.00 if concrete slab is placed at 4" thick

WE PROPOSE hereby to furnish material, equipment and labor - complete in accordance with above specifications, for the sum of:

Eighteen Thousand, Nine hundred ninety-five and 00/100 dollars \$ \$ 18,995.00

Payment to be made as follows: Net 30 days

All material is guaranteed to be as specified. All work to be completed in a workmanlike manner according to standard practices. Any alteration or deviation from above specifications involving extra costs will be executed only upon written orders, and will become an extra charge over and above the estimate. All agreements contingent upon strikes, accidents or delays beyond our control. Owner to carry fire, tornado and other necessary insurance. Our workers are fully covered by Workmen's Compensation Insurance.

Authorized Signature:

Note: This proposal may be withdrawn by us if not accepted within:
10 days

Acceptance of Proposal - The above prices, specifications and conditions are satisfactory and are hereby accepted. You are authorized to do the work as specified. Payment will be made as outlined above.

SIGNATURE: _____

Date of Acceptance: _____

SIGNATURE: _____

Town of West Seneca Fitness Pad

From: Brian Adams badams@TWSNY.org

To: Aaron Findlay AFindlay@unionconcretecorp.com, Frank Pirritano Frankpirritano3@gmail.com, broadconcrete@aol.com , JPEARCEANDSON@GMAIL.COM , randy@concretespecialistsdog.com

Date: Mon, Apr 11, 2022, 4:09 PM

NFC Slab Drawing Package Tile 7.2 2022-03-09.pdf 625 KB

Good Afternoon,

My name is Brian Adams, I'm the Town of West Seneca Highway Superintendent, I also oversee our Park system here in town. The Town of West Seneca is looking to expand our amenities at the West Seneca Soccer Complex by adding an outdoor fitness pad. We are currently seeking contractors who are interested in this work to please submit a formal quote for this project by 4pm Monday April 18th. The details for this project are listed below and attached is a spec sheet of the concrete pad we are looking for.

Please note, the location of this pad will be about 30 feet from a paved parking lot so access shouldn't be an issue.

This project should include

Excavation and removal of fill

6" of Subbase

6X6x6/6 Mesh

4000 PSI Exterior Mix Concrete in Place with joints sawcut, ideally we are looking for 6" depth but would like quote for both 4" and 6" of concrete

Excludes:

Curb wall shown on page 2 of drawings

Topsoil restoration

Tax

Thank you for your time and interest

Brian J. Adams

Superintendent of Highways

Town of West Seneca